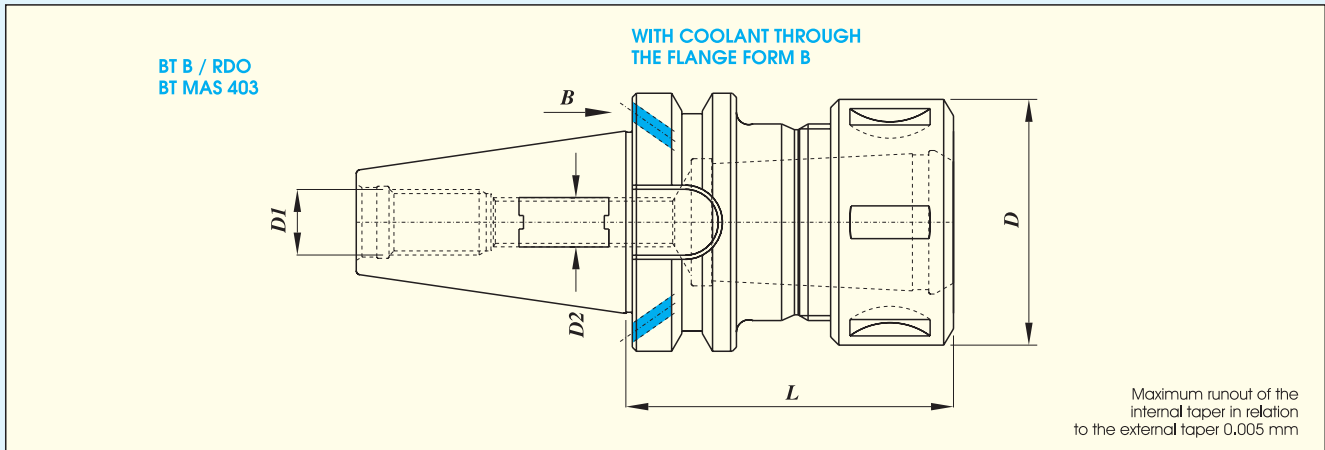


## BT SHANK 'RDO' COLLET HOLDER WITH COOLANT THROUGH FLANGE



| Collet Chuck Designation | Suitable for Collet | Collet Clamping Capacity | L  | D1   | D2       | Nut |             | Spanner Designation |
|--------------------------|---------------------|--------------------------|----|------|----------|-----|-------------|---------------------|
|                          |                     |                          |    |      |          | D   | Designation |                     |
| BT30 B RDO 25060         | RDO 25              | 1,5 - 16                 | 60 | M 12 | M 10 x 1 | 43  | KM/RDO 25   | HS 25               |
| BT30 B RDO 35080         | RDO 35              | 1,5 - 25                 | 80 | M 12 | M 12 x 1 | 60  | KM/RDO 35   | HS 35               |
| BT40 B RDO 25060         | RDO 25              | 1,5 - 16                 | 60 | M 16 | M 10 x 1 | 43  | KM/RDO 25   | HS 25               |
| BT40 B RDO 35070         | RDO 35              | 1,5 - 25                 | 70 | M 16 | M 12 x 1 | 60  | KM/RDO 35   | HS 35               |
| BT40 B RDO 44090         | RDO 44              | 3,5 - 32                 | 90 | M 16 | M 18 x 1 | 72  | KM/RDO 44   | HS 44               |
| BT50 B RDO 35085         | RDO 35              | 1,5 - 25                 | 85 | M 24 | M 12 x 1 | 60  | KM/RDO 35   | HS 35               |
| BT50 B RDO 44090         | RDO 44              | 3,5 - 32                 | 90 | M 24 | M 18 x 1 | 72  | KM/RDO 44   | HS 44               |
|                          |                     |                          |    |      |          |     |             |                     |
|                          |                     |                          |    |      |          |     |             |                     |
|                          |                     |                          |    |      |          |     |             |                     |
|                          |                     |                          |    |      |          |     |             |                     |
|                          |                     |                          |    |      |          |     |             |                     |

Ordering Example :-  
KTA BT 40 B RDO 25060 Coolant through flange / Qty. - 2 Nos.

For Ball Bearing Nut  
refer page no. 24