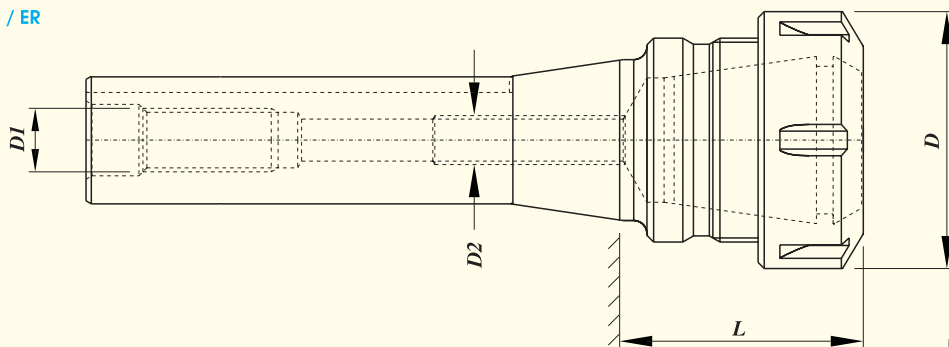


R8 SHANK 'ER' COLLET HOLDERS (BRIDGEPORT / M1TR) TYPE

R 8 / ER



Maximum runout of the internal taper in relation to the external taper 0,005 mm

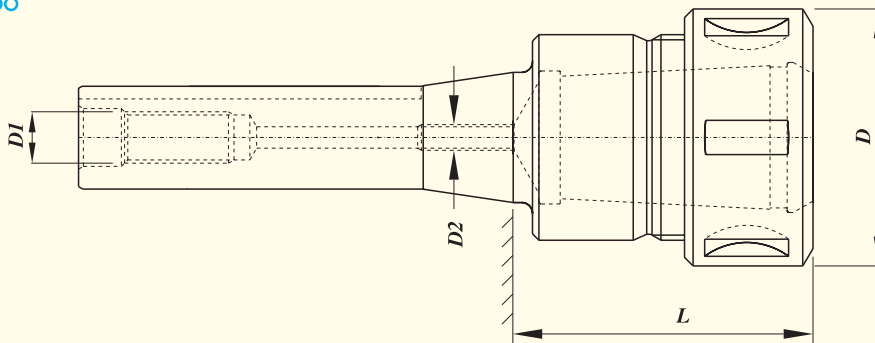
Collet Chuck Designation	Suitable for Collet	Collet Clamping Capacity	L	D2	Nut		Spanner Designation
					D	Designation	
R8 ER 16040	ER 16	0,5- 10	40	M 6 x 1	28	UM/ER 16	GS 25
R8 ER 20050	ER 20	1 - 13	50	M 8 x 1	34	UM/ER 20	E 20
R8 ER 25050	ER 25	2 - 16	50	M 10 x 1	42	UM/ER 25	E 25
R8 ER 32060	ER 32	3 - 20	60	M 12 x 1	50	UM/ER 32	E 32

Ordering Example :-
KTA R8 ER 25050 / Qty. - 4 Nos.

Specify D1 as required : 1) Metric - M 12 x 1,5
2) Inch - 7/16" - 20 UNF - 2A
For Ball Bearing Nut refer page no. 23

R8 SHANK 'RDO' COLLET HOLDER (BRIDGEPORT / M1TR) TYPE

R 8 / RDO



Maximum runout of the internal taper in relation to the external taper 0,005 mm

Collet Chuck Designation	Suitable for Collet	Collet Clamping Capacity	L	D2	Nut		Spanner Designation
					D	Designation	
R8 RDO 25060	RDO 25	2 - 16	60	M 10 x 1	43	KM/RDO 25	HS 25
R8 RDO 35070	RDO 35	2 - 25	70	M 12 x 1	60	KM/RDO 35	HS 35

Ordering Example :-
KTA R8 RDO 25060/Qty. - 5 Nos.

Specify D1 as required : 1) Metric - M 12 X 1,5
2) Inch - 7/16" - 20 UNF - 2A
For Nut refer page no. 24